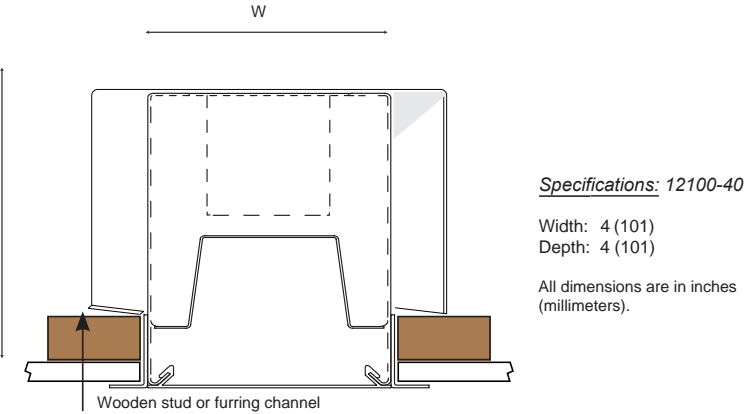
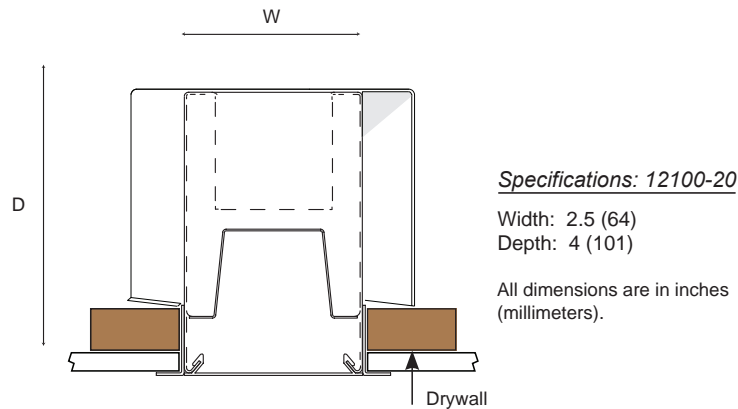


WARNING:



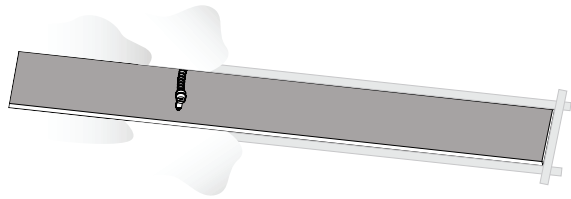
RISK OF FIRE AND ELECTRICAL SHOCK. FIXTURE MUST BE INSTALLED BY A QUALIFIED ELECTRICIAN ONLY IN ACCORDANCE WITH NATIONAL, LOCAL BUILDING AND ELECTRICAL CODES. DISCONNECT POWER AT ELECTRICAL PANEL BEFORE SERVICING.

12100-20 | 12100-40 - INSTALLATION INSTRUCTIONS FOR RECESSED DRYWALL 90° MOUNT



● PART LIST

- | | |
|-----------------------|-------------------------|
| A: LED module plate | D: Access plate |
| B: SNAP-IN Lens | E: Safety bracket screw |
| C: BX cable connector | F: Safety bracket |



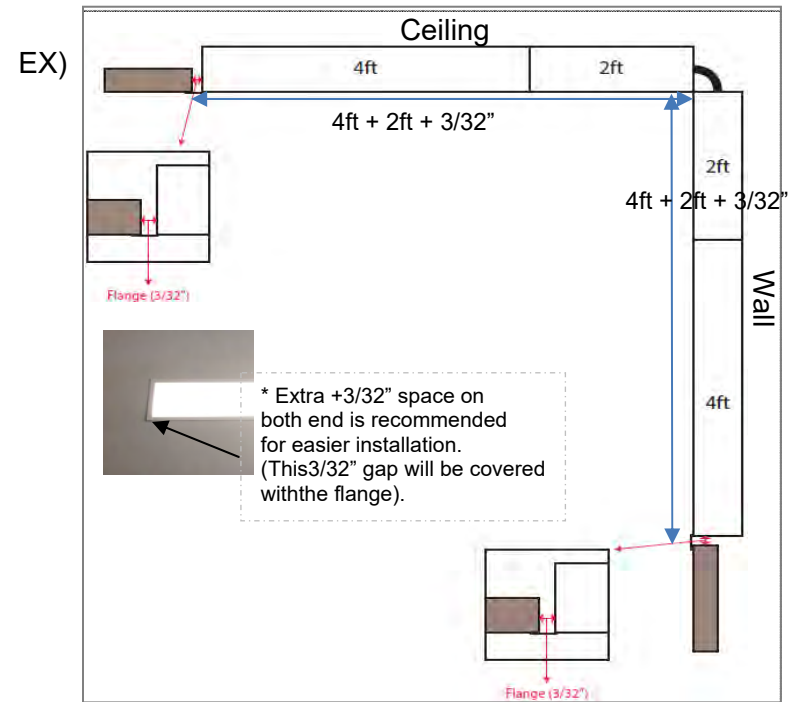
Make opening on ceiling to wall drywall according to dimensions below:

12100-20

- (2ft) : 24-3/32" x 2-5/8"
- (3ft) : 36-3/32" x 2-5/8"
- (4ft) : 48-3/32" x 2-5/8"
- (6ft) : 72-3/32" x 2-5/8"
- (8ft) : 96-3/32" x 2-5/8"

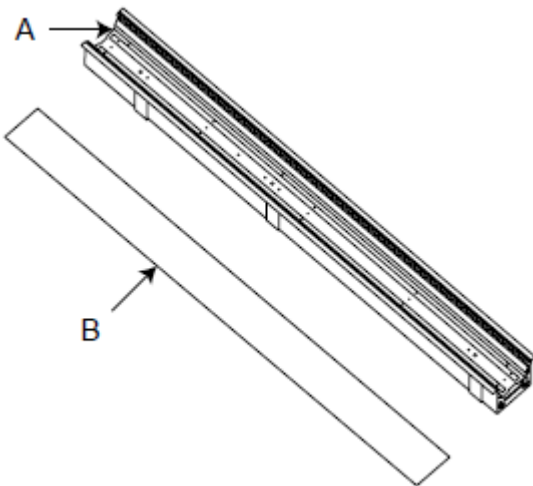
12100-40

- (2ft) : 24-3/32" x 4-1/8"
- (3ft) : 36-3/32" x 4-1/8"
- (4ft) : 48-3/32" x 4-1/8"
- (6ft) : 72-3/32" x 4-1/8"
- (8ft) : 96-3/32" x 4-1/8"



INSTALLATION FOR INDIVIDUAL

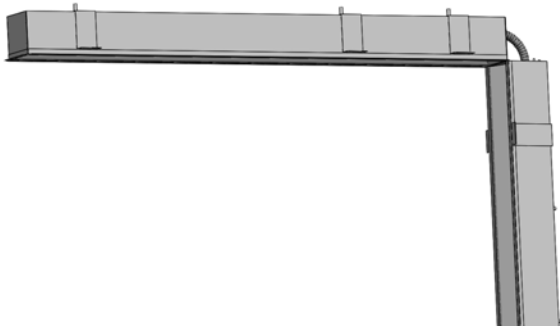
1) Remove SNAP-IN Lens (B) and LED module plate (A).



2) Follow any methods for continuous run in the following pages.

- Method 1
- Method 2
- Method 3

3) Reinstall module plate and SNAP-IN lens.



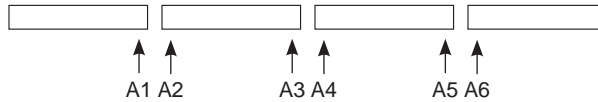
INSTALLATION FOR CONTINUOUS ROW

TOOL(S) NEEDED:

Option 1) Cordless drill and an elbow or L-shape adapter with Philips Insert Bit extension.

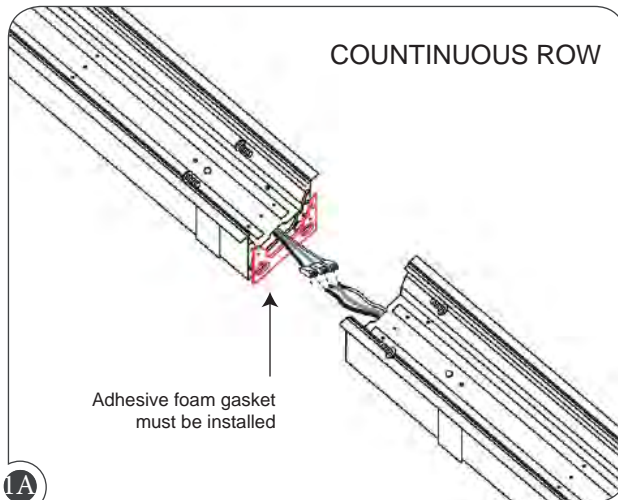


Option 2) Flexible Screwdriver with Philips Insert Bit.



Continuous Row

Align continuous row fixtures in numerical order under the same alphabet family.



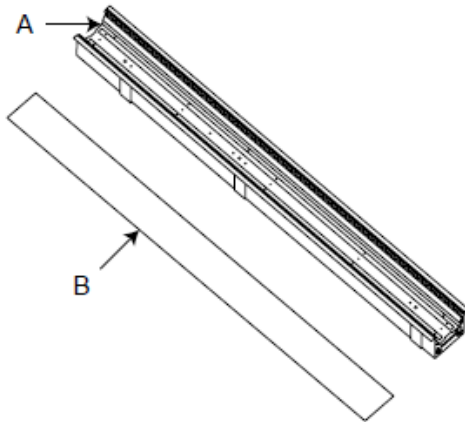
- 1) Make wiring connection from each fixture power supply wires together.
- 2) Align fixtures and screw together with 4 screws(H).



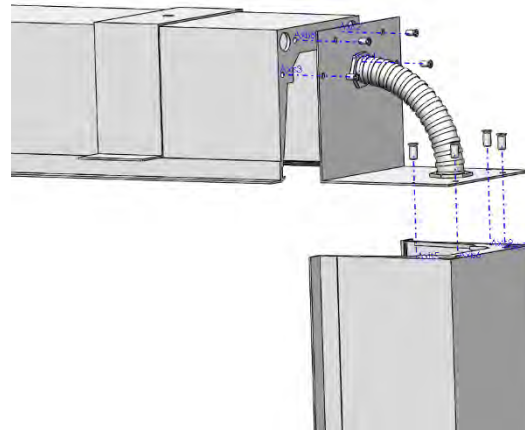
INSTALLATION FOR CONTINUOUS ROW

Method 1:

1) Remove SNAP-IN Lens (B) and LED module plate (A)

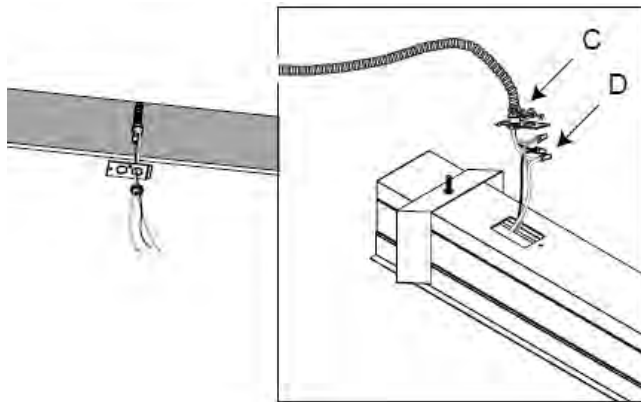


2) Pre-install the connector from outside on both perpendicular end.

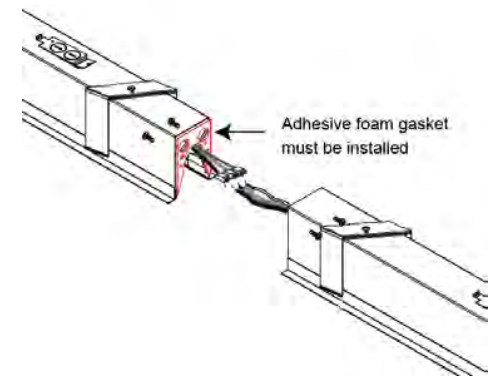
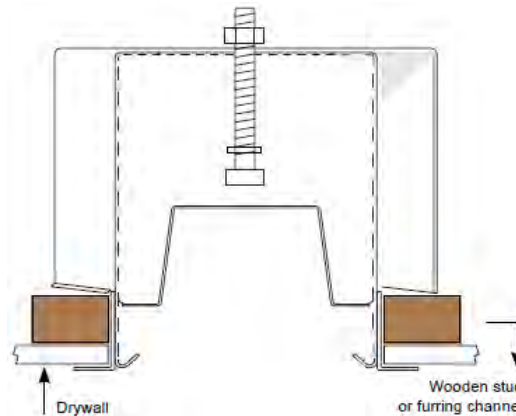


NOTE:
Connect each disconnectors of Male and Female with the same color of wires through the whip.

3) Install BX cable connector (C) to access plate (D). Wire BX cable wires to Fixture wires.

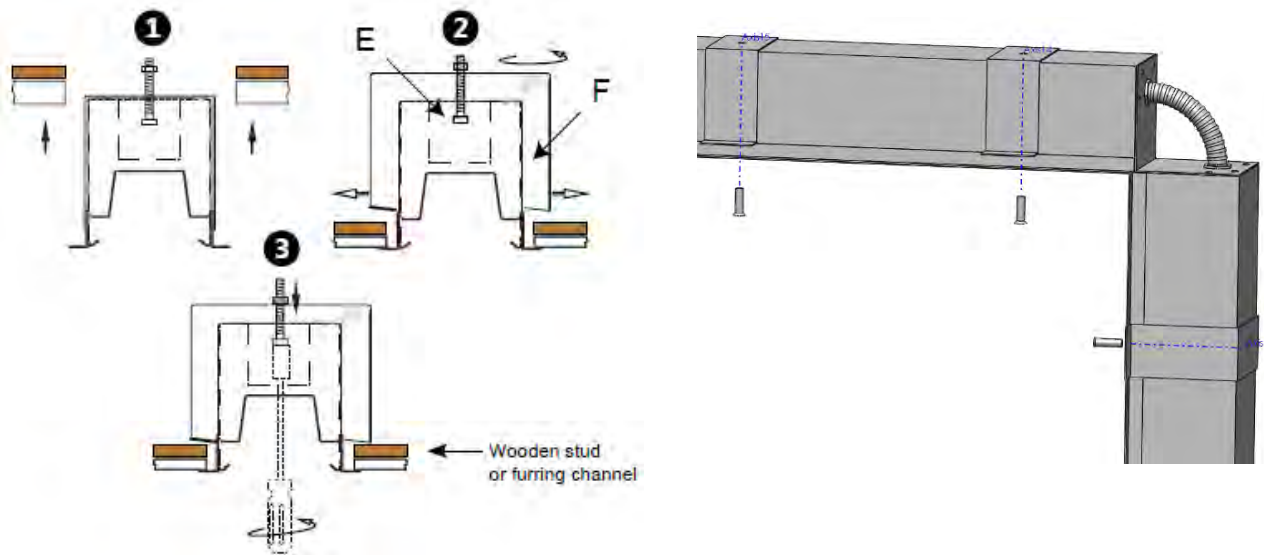


4) Align the perpendicular set to pre-cut hole on drywall and install.

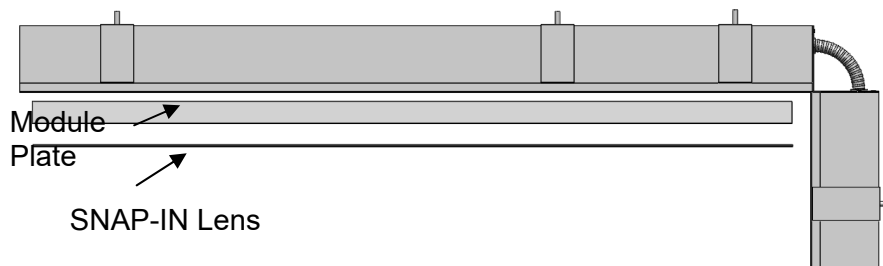


INSTALLATION FOR CONTINUOUS ROW

- 5) Push safety bracket screw (E) up to rotate safety brackets (F) once bracket is correctly align, then tighten screws to lock fixture into drywall ceiling and wall.



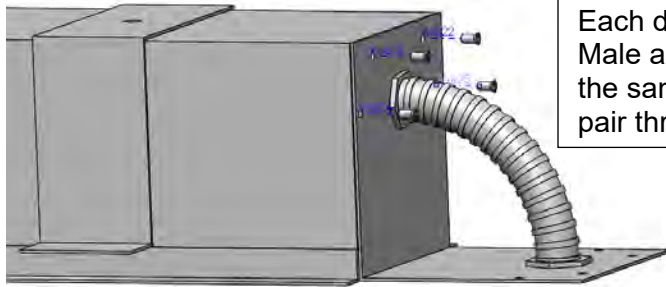
- 6) Reinstall LED module plate and SNAP-IN lens.



INSTALLATION FOR CONTINUOUS ROW

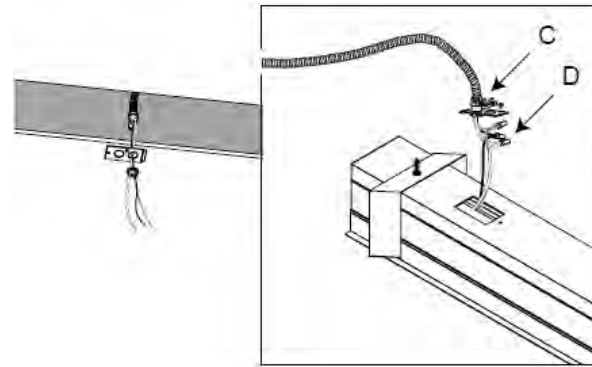
Method 2:

- 1) Pre-install ceiling end of perpendicular fixture with the connector from outside.

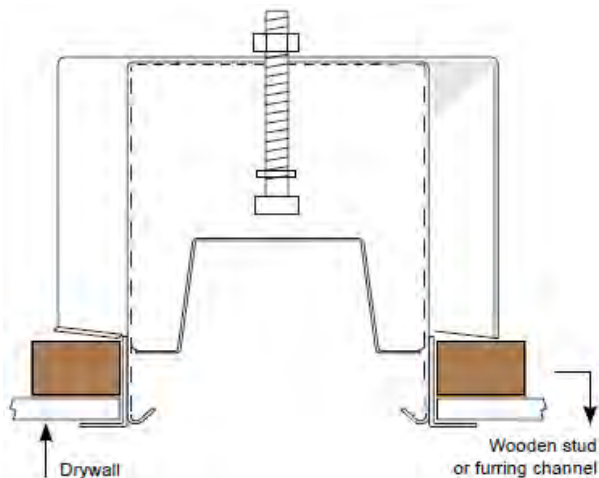


NOTE:
Each disconnectors of Male and Female containing the same colors of wires should pair through the flex whip.

- 2) Install BX cable connector (C) to access plate (D). Wire BX cable wires to fixture wires.

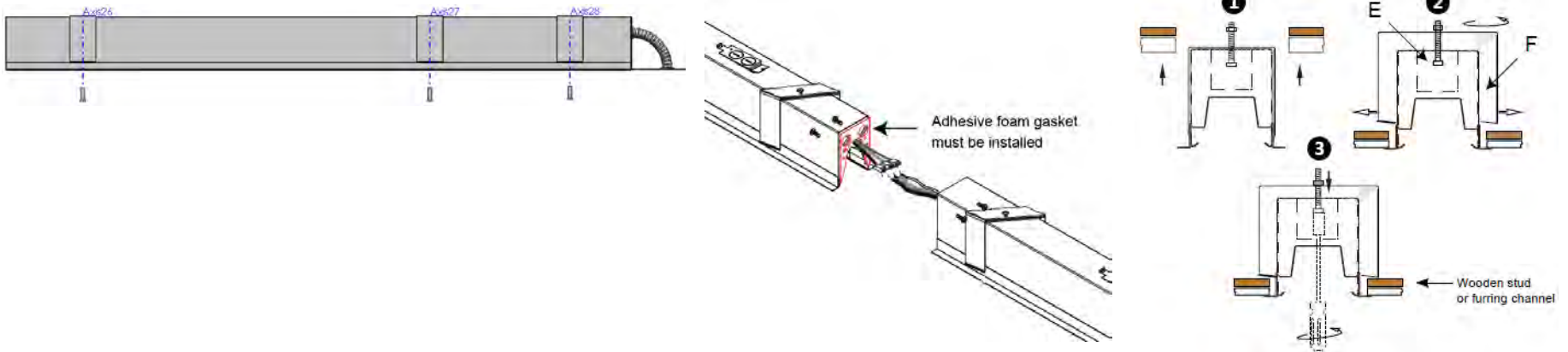


- 3) Align horizontal fixture to pre-cut hole on the ceiling drywall (F) and insert fixture.

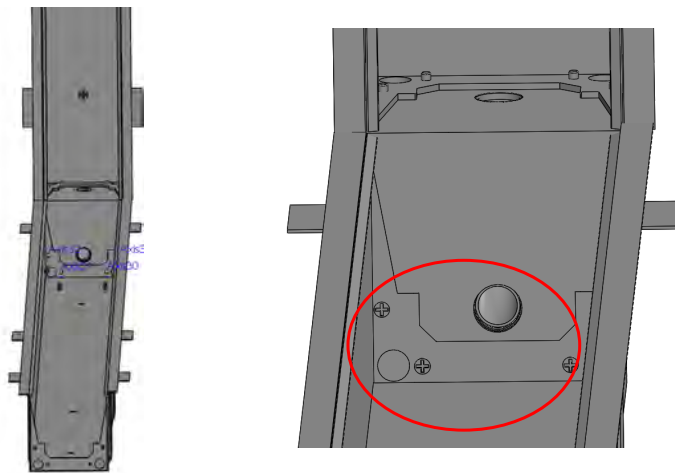


INSTALLATION FOR CONTINUOUS ROW

4) Push safety bracket screw (E) up to rotate safety brackets once bracket is correctly align, then tighten screw to lock fixtures into ceiling drywall.

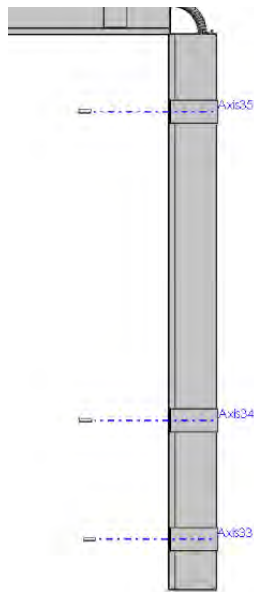


5) Install vertical wall fixture and screw onto the connector from inside.

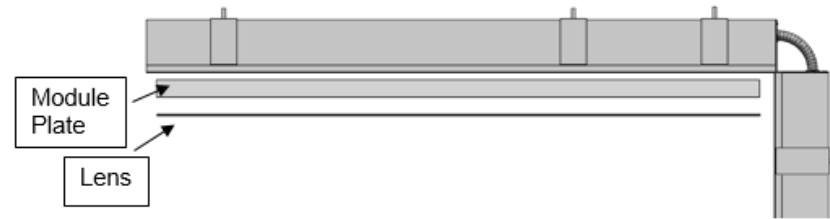


INSTALLATION FOR CONTINUOUS ROW

6) Repeat step #3 and #4 for the vertical fixture.



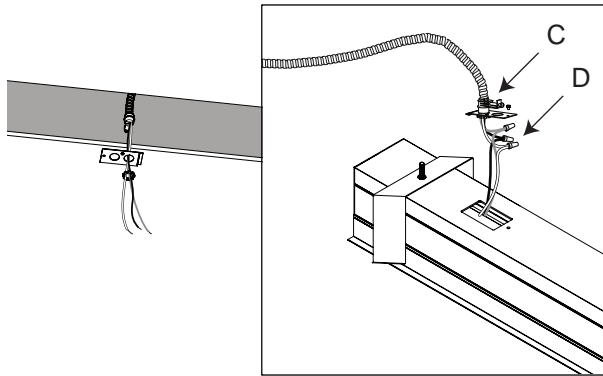
7) Reinstall LED module plate and SNAP-IN lens.



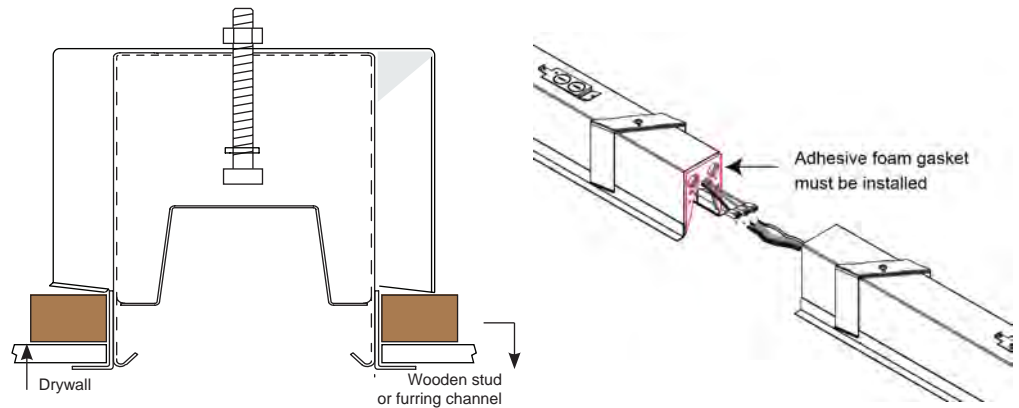
INSTALLATION FOR CONTINUOUS ROW

Method 3:

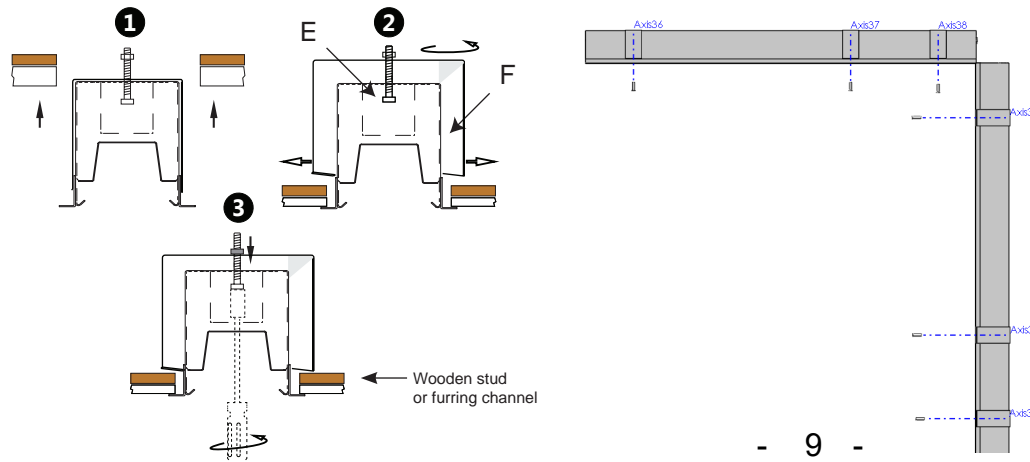
1) Install BX cable connector (C) to access plate (D).
Wire BX cable wires to fixture wires.



2) Align both horizontal and vertical fixture to pre-cut hole on Drywall and insert fixtures perpendicularly.

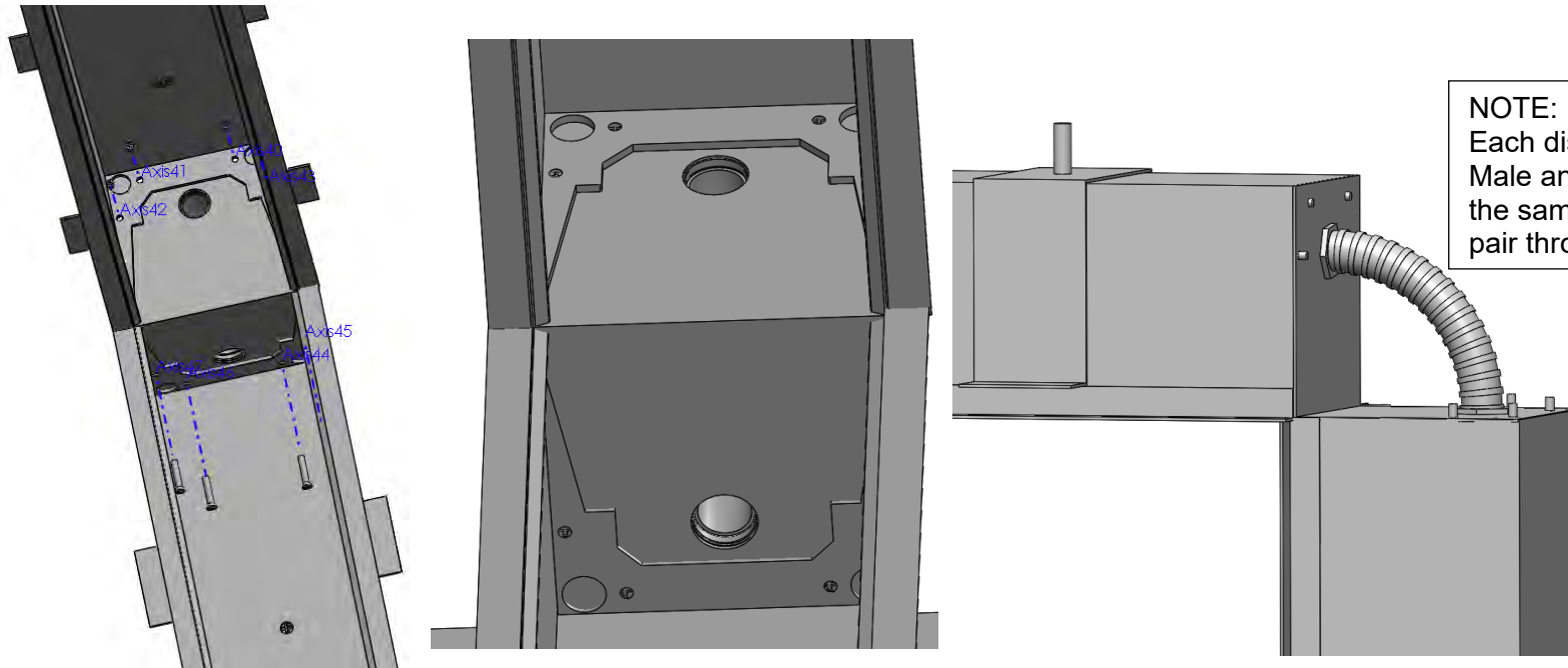


3) Push safety bracket screw (E) up to rotate safety brackets (F). Once bracket is correctly aligned, tighten screw to lock fixtures into drywall both ceiling and wall.



INSTALLATION FOR CONTINUOUS ROW

4) Install the connector at the perpendicular end (ceiling to wall) from inside.



NOTE:
Each disconnectors of Male and Female containing the same colors of wires should pair through the flex whip.

5) Reinstall LED module plate and SNAP-IN lens.

